

# Suction Cups For Handling Packaging

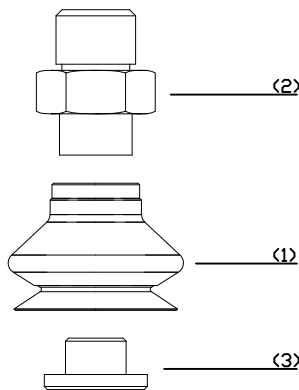
## Bellows Suction Cups MB

Suction area ( $\phi$ ) 20mm to 50mm

Bellows Suction Cups MB (1.5 folds)



System design bellows suction cups MB



### Introduction and application

- ◆ Round bellows suction cups suitable for carton handling and packaging machinery
- ◆ Handling of cardboard and rigid packaging in top or side.
- ◆ Palletizing and depalletizing processes.
- ◆ Strong and wear-resistant suction cup, excellent sealing performance, suitable for high load applications

### Design

- ◆ Round bellows suction cup MB (1) with soft, flexible sealing lip
- ◆ Made of wear-proof material TPE-70
- ◆ Suction nipple with diameter up to 30 mm is plug-in nipple
- ◆ The 40mm diameter suction cup connector consists of two parts: machine-side component (2) and suction-side component (3)
- ◆ All connection nipples with external thread are equipped with integrated sealing

### Ordering Data Bellows Suction Cups MB

Item no.	Suction area $\phi$ [mm]	Material and Shore hardness
MB	20 to 50	TPE-70

Combined Suction Cups

Vacuum Suction Cups

Composite Suction Cups

Special Grippers

Vacuum Gripping Systems

Mounting Elements

Vacuum Generators

Valve Technology

Switch And Monitoring

Vacuum Filters

# Suction Cups For Handling Packaging

## Bellows Suction Cups MB

Suction area ( $\phi$ ) 20mm to 50mm

Combined Suction Cups

Vacuum Suction Cups

Composite Suction Cups

Special Grippers

Vacuum Gripping Systems

Mounting Elements

Vacuum Generators

Valve Technology

Switch And Monitoring

Vacuum Filters

### Ordering Data Bellows Suction Cups MB(1.5 Folds)

Type	Ordering Data
MB 20 TPE-70 G1/8-AG	90.02.01.00617
MB 20 TPE-70 G1/8-IG	90.02.01.00618
MB 30 TPE-70 G1/8-AG	90.02.01.00619
MB 30 TPE-70 G1/8-IG	90.02.01.00620
MB 40 TPE-70 G1/4-AG	90.02.01.00621
MB 40 TPE-70 G1/4-IG	90.02.01.00622
MB 50 TPE-70 G1/4-AG	90.02.01.00623
MB 50 TPE-70 G1/4-IG	90.02.01.00624

### Ordering Data Spare Parts Bellows Suction Cups MB(1.5 Folds)

Type	Ordering Data
MB-20 TPE-70	90.02.03.00433
MB-30 TPE-70	90.02.03.00435
MB-40 TPE-70	90.02.03.00436
MB-50 TPE-70	90.02.03.00437

### Ordering Data Connecting part Bellows Suction Cups MB(1.5 Folds)

Type	MB1 20	MB1 30	MB1 40	MB1 50
SC 040 G1/8-AG	90.02.04.00027	90.02.04.00027		
SC 040 G1/8-AG	90.02.04.00028	90.02.04.00028		
SC 050 G1/4-AG			90.02.04.00029	90.02.04.00029
SC 050 G1/4-AG			90.02.04.00030	90.02.04.00030

### Technical Data Bellows Suction Cups MB

Type	Suction Force [N]	Pull-off force [N]	Lateral force [N]	Volume [cm <sup>3</sup> ]	Workpiece radius min [mm] (Convex)	Recom. internal hose diameter d[mm]	Connecting part SC...
MB-20 TPE-70	9.9	16.2	9.8	2.9	20	4	040
MB-30 TPE-70	20.7	30.6	15.5	7.8	35	6	040
MB-40 TPE-70	35.9	46.8	24.8	18.4	70	6	050
MB-50 TPE-70	54.7	72.7	31.2	30.3	100	6	050

# Suction Cups For Handling Packaging

## Bellows Suction Cups MB

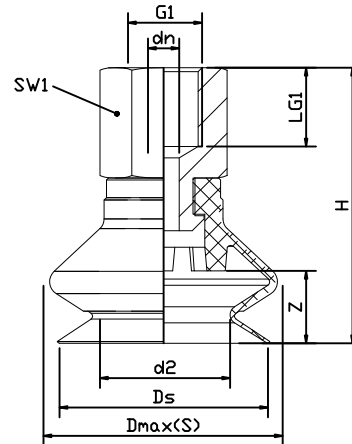
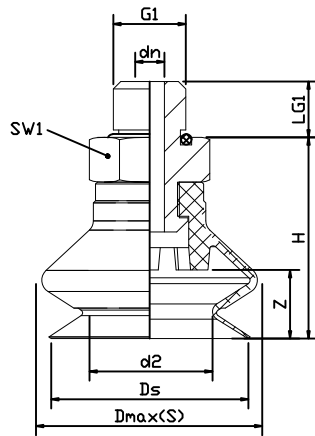
Suction area ( $\phi$ ) 20mm to 50mm



### Design Data Bellows Suction Cups MB

MB 20...50 AG

MB 20...50 IG

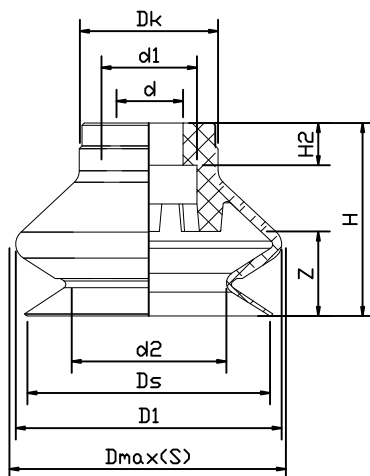


Type	Dimensions[mm]									
	dn	d2	Dmax(S)	Ds	G1	H	LG1	SW1	Z(Stroke)	
MB 20 TPE-70 G1/8-AG	4.1	13.8	26.3	21.4	G1/8-M	24	7.5	14	7	
MB 20 TPE-70 G1/8-IG	4.1	13.8	26.3	21.4	G1/8-F	32	8	14	7	
MB 30 TPE-70 G1/8-AG	4.1	20	36.7	31.4	G1/8-M	29	7.5	14	9	
MB 30 TPE-70 G1/8-IG	4.1	20	36.7	31.4	G1/8-F	37	8	14	9	
MB 40 TPE-70 G1/4-AG	6.1	26.1	48	41.4	G1/4-M	37	10	17	12	
MB 40 TPE-70 G1/4-IG	6.1	26.1	48	41.4	G1/4-F	47	12	17	12	
MB 50 TPE-70 G1/4-AG	6.1	32.3	58.4	51.4	G1/4-M	39	10	17	14	
MB 50 TPE-70 G1/4-IG	6.1	32.3	58.4	51.4	G1/4-F	49	12	17	14	



### Design Data Spare Parts Bellows Suction Cups MB

MB 20...50



Type	Dimensions[mm]										
	d	d1	D1	DK	d2	Ds	D1(S)	H	H2	Z(Stroke)	
MB-20 TPE-70	7.5	10.5	24.6	15.1	13.8	21.4	26.3	18	4.6	7	
MB-30 TPE-70	7.5	10.5	34.2	15.1	20.0	31.4	36.7	23	4.6	9	
MB-40 TPE-70	11.0	17.5	44.6	21.6	26.1	41.4	48.0	30	7.0	12	
MB-50 TPE-70	11.0	17.5	55.2	21.6	32.3	51.4	58.4	32	7.0	14	

Combined Suction Cups

Vacuum Suction Cups

Composite Suction Cups

Special Grippers

Vacuum Gripping Systems

Mounting Elements

Vacuum Generators

Valve Technology

Switch And Monitoring

Vacuum Filters

# Suction Cups For Handling Packaging

## Bellows Suction Cups MB

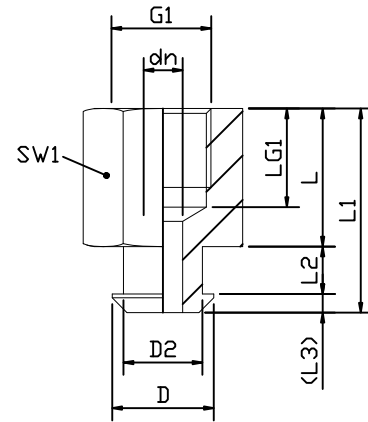
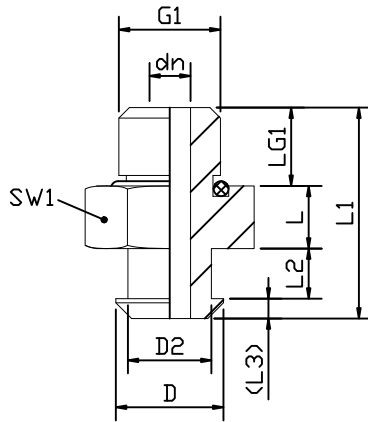
Suction area ( $\phi$ ) 20mm to 50mm



### Design Data of Connecting part

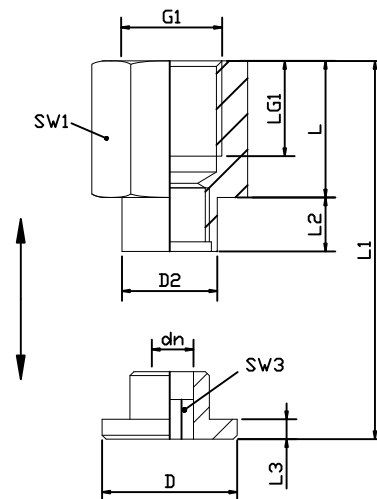
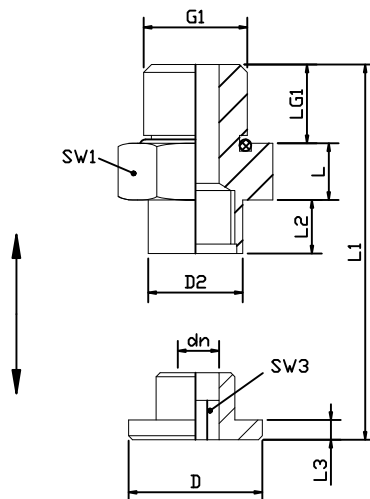
Connecting part SC 030/040...AG,suitable for MB-20...30

Connecting part SC 040 G1/8-F,suitable for MB-20...30



Connecting part SC 050 G1/4-M,suitable for MB-40...50

Connecting part SC 050 G1/4-F,suitable for MB-40...50



Type	Dimensions[mm]											
	D	D2	dn	G1	L	L1	L2	L3	LG1	SW1	SW2	
SC 030 M5-AG	7.2	6	2	M5-M	5.0	16.8	4.3	1.5	6.0	8	3	
SC 040 G1/8-AG	10.3	8	4	G1/8"-M	6.0	25.2	4.8	1.9	7.5	14	4	
SC 040 G1/8-IG	10.3	8	4	G1/8"-F	14.0	20.7	4.8	1.9	8.0	14	4	
SC 050 G1/4-AG	17.0	12	6	G1/4"-M	7.2	26.5	6.8	2.5	10.0	17	6	
SC 050 G1/4-IG	17.0	12	6	G1/4"-F	17.2	26.5	6.8	2.5	12.0	17	6	